

## EMAC 001 ACCESS PANEL



### MATERIAL

- 1mm steel

### APPLICATION

- Ceiling
- Wall

### AVAILABLE SIZES (mm)

- 300 x 300      450 x 450      600 x 600
- 900 x 600\*    1200 x 600\*

### FRAME OPTIONS

- Picture frame – covers uneven edges
- Beaded frame – can be taped and jointed for skimming

### LOCK OPTIONS

- Budget lock (Alternative locks available on request)

### FIRE RATING

- Non-fire rated

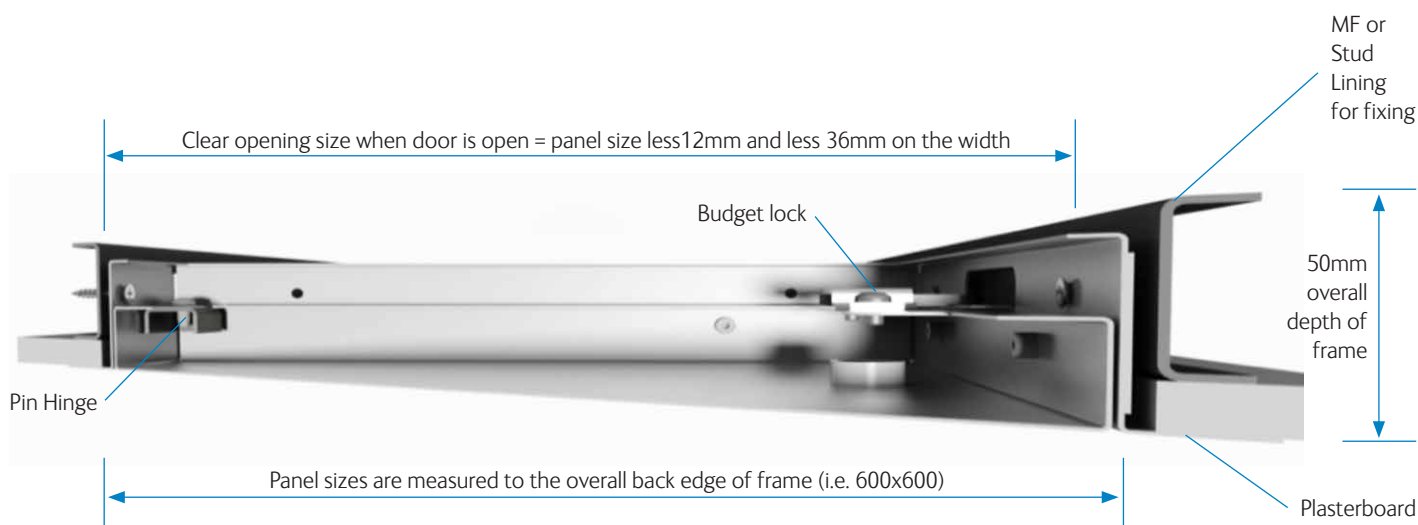
### FINISH

- RAL 9010 (White) 20% Gloss

### INSTALLATION ADVICE

Ensure the structural opening (panel size +10mm) is lined with timber or steel section. This can be used to fix the panel into place by using a suitable screw through the pre-drilled holes in the frame.

(\* panels are hinged on the long side as standard)



manufacturing world-class interiors

SAS Apollo Park, Rounds Green Road, Oldbury, West Midlands B69 2DA T: 0121 511 1300 W: [www.sasint.co.uk/accesspanels](http://www.sasint.co.uk/accesspanels)

All information and details in this brochure are correct at the time of going to press. E&OE. Published by SAS International. Copyright © 2015.

## EMAC 001 FD60 ACCESS PANEL



### MATERIAL

- 1mm steel

### APPLICATION

- Ceiling
- Wall

### AVAILABLE SIZES (mm)

- 300 x 300      450 x 450      600 x 600
- 900 x 600\*    1200 x 600\*

### FRAME OPTIONS

- Picture frame – covers uneven edges
- Beaded frame – can be taped and jointed for skimming

### LOCK OPTIONS

- Budget lock (Alternative locks available on request)

### FIRE RATING

- Available 60 minute fire rated
- Tested to BS EN 1363-1:2002

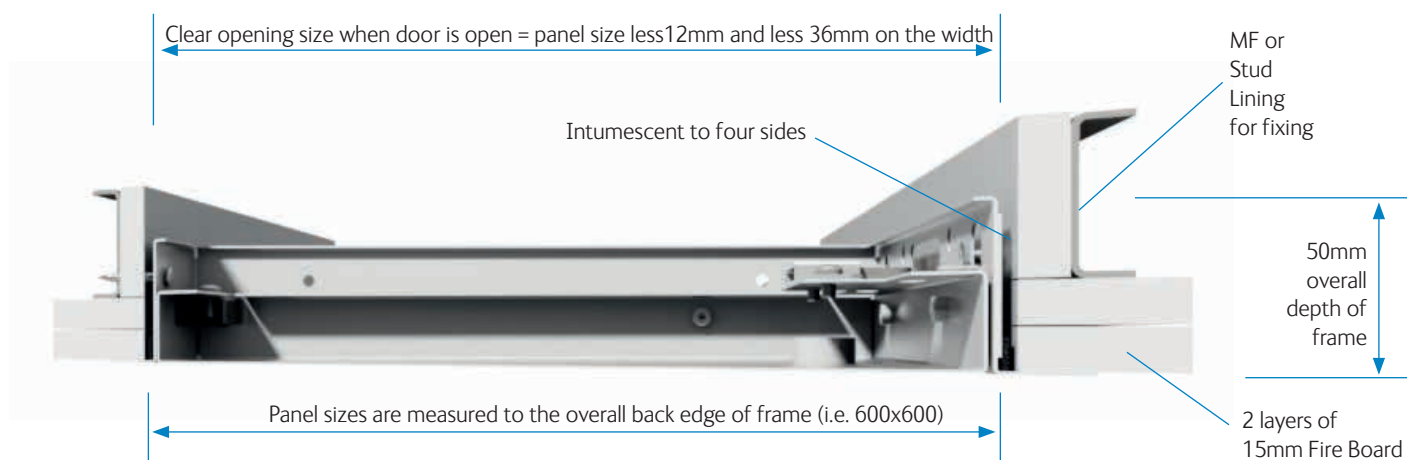
### FINISH

- RAL 9010 (White) 20% Gloss

### INSTALLATION ADVICE

Ensure the structural opening (panel size +10mm) is lined with steel section which has fire rated plasterboard fixed to it. This can be used to fix the panel into place by using a suitable screw through the pre-drilled holes in the frame.

(\* panels are hinged on the long side as standard)



manufacturing world-class interiors

SAS Apollo Park, Rounds Green Road, Oldbury, West Midlands B69 2DA T: 0121 511 1300 W: [www.sasint.co.uk/accesspanels](http://www.sasint.co.uk/accesspanels)

All information and details in this brochure are correct at the time of going to press. E&OE. Published by SAS International. Copyright © 2015.

## EMAC 001 FD120 ACCESS PANEL



### MATERIAL

- 1mm steel

### APPLICATION

- Ceiling
- Wall

### AVAILABLE SIZES (mm)

- 300 x 300      450 x 450      600 x 600
- 900 x 600\*    1200 x 600\*

### FRAME OPTIONS

- Picture frame – covers uneven edges
- Beaded frame – can be taped and jointed for skimming

### LOCK OPTIONS

- Budget lock (Alternative locks available on request)

### FIRE RATING

- Available 120 minute fire rated
- Tested to BS EN 1363-1:2002

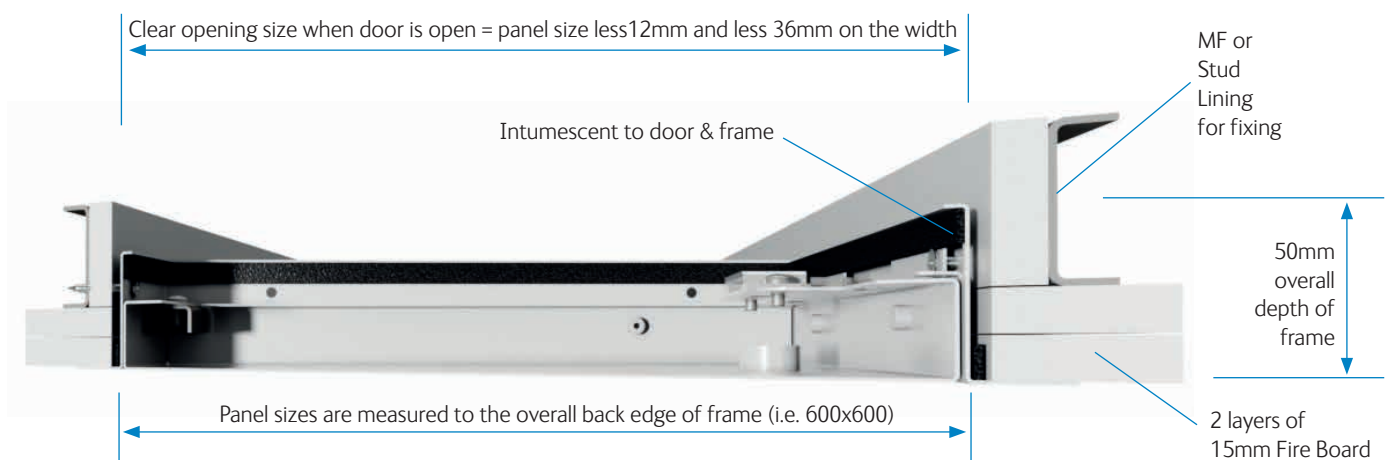
### FINISH

- RAL 9010 (White) 20% Gloss

### INSTALLATION ADVICE

Ensure the structural opening (panel size +10mm) is lined with steel section which has fire rated plasterboard fixed to it. This can be used to fix the panel into place by using a suitable screw through the pre-drilled holes in the frame.

(\* panels are hinged on the long side as standard)

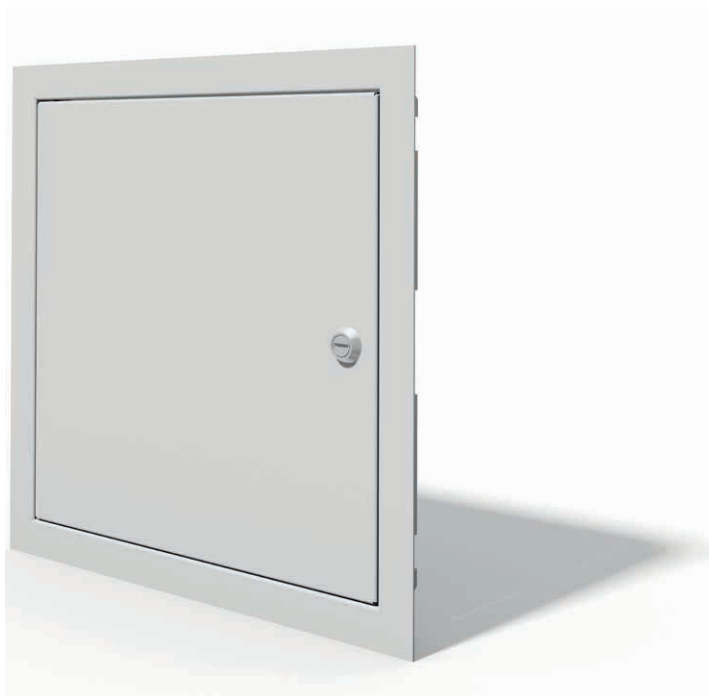


manufacturing world-class interiors

SAS Apollo Park, Rounds Green Road, Oldbury, West Midlands B69 2DA T: 0121 511 1300 W: [www.sasint.co.uk/accesspanels](http://www.sasint.co.uk/accesspanels)

All information and details in this brochure are correct at the time of going to press. E&OE. Published by SAS International. Copyright © 2015.

## EMAC 002 ACCESS PANEL



### MATERIAL

- 1mm steel

### APPLICATION

- Ceiling
- Wall

### AVAILABLE SIZES (mm)

- 200 x 200      300 x 300
- 450 x 450      600 x 600

### FRAME OPTIONS

- Picture frame – covers uneven edges

### LOCK OPTIONS

- Chrome slotted lock operated by small coin or screwdriver

### FIRE RATING

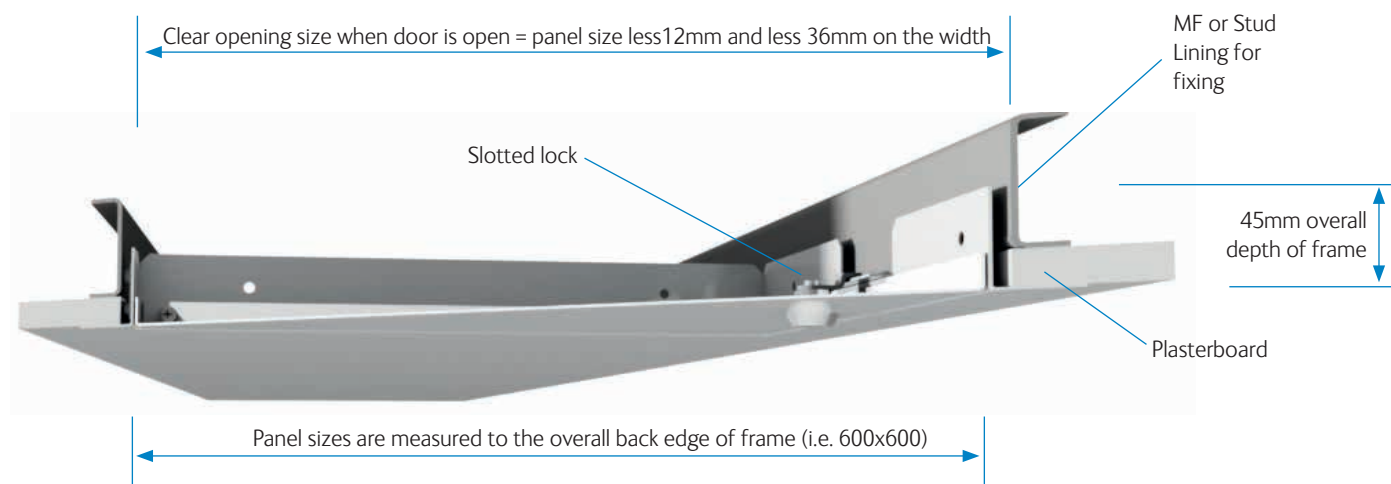
- Non-fire rated

### FINISH

- RAL 9010 (White) 20% Gloss

### INSTALLATION ADVICE

Ensure the structural opening (panel size +10mm) is lined with fire rated plasterboard or steel section. This can be used to fix the panel into place by using a suitable screw through the pre-drilled holes in the frame.

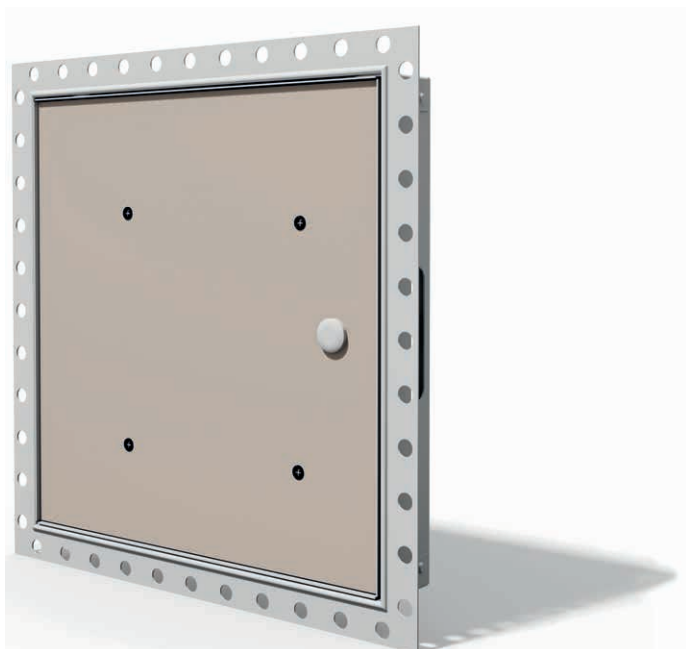


manufacturing world-class interiors

SAS Apollo Park, Rounds Green Road, Oldbury, West Midlands B69 2DA T: 0121 511 1300 W: [www.sasint.co.uk/accesspanels](http://www.sasint.co.uk/accesspanels)

All information and details in this brochure are correct at the time of going to press. E&OE. Published by SAS International. Copyright © 2015.

## EMAC 003 ACCESS PANEL



### MATERIAL

- 1mm steel
- Plasterboard door; ready for on-site plastering

### APPLICATION

- Ceiling
- Wall

### AVAILABLE SIZES (mm)

- 300 x 300    450 x 450    600 x 600

### FRAME OPTIONS

- Beaded frame (Other frame details available upon request)

### LOCK OPTIONS

- Budget lock (Alternative locks available on request)

### FIRE RATING

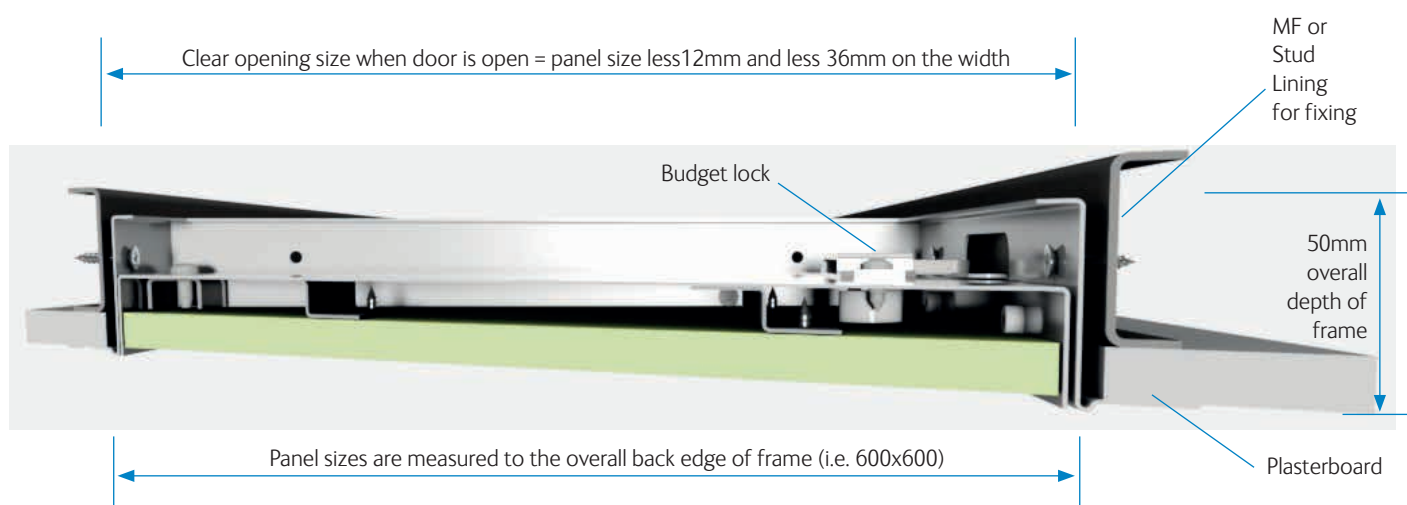
- Non-fire rated

### FINISH

- RAL 9010 (White) 20% Gloss

### INSTALLATION ADVICE

Ensure the structural opening (panel size +10mm) is lined with timber or steel section. This can be used to fix the panel into place by using a suitable screw through the pre-drilled holes in the frame. EMAC003 should not be fixed directly through the bead, as this may cause defects in the plaster once it has dried and the panel has been opened several times.

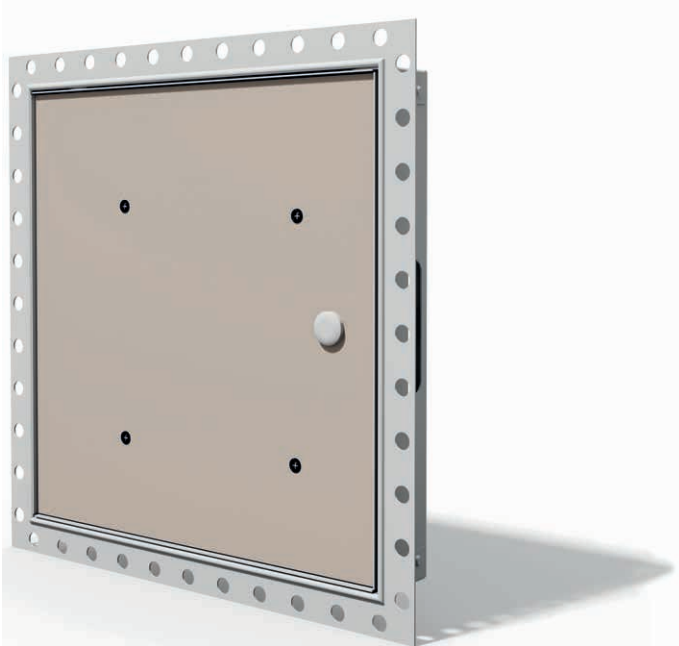


manufacturing world-class interiors

SAS Apollo Park, Rounds Green Road, Oldbury, West Midlands B69 2DA T: 0121 511 1300 W: [www.sasint.co.uk/accesspanels](http://www.sasint.co.uk/accesspanels)

All information and details in this brochure are correct at the time of going to press. E&OE. Published by SAS International. Copyright © 2015.

## EMAC 003 FD60 ACCESS PANEL



### MATERIAL

- 1mm steel
- Plasterboard door; ready for on-site plastering

### APPLICATION

- Ceiling
- Wall

### AVAILABLE SIZES (mm)

- 300 x 300    450 x 450    600 x 600

### FRAME OPTIONS

- Beaded frame (Other frame details available upon request)

### LOCK OPTIONS

- Budget lock (Alternative locks available on request)

### FIRE RATING

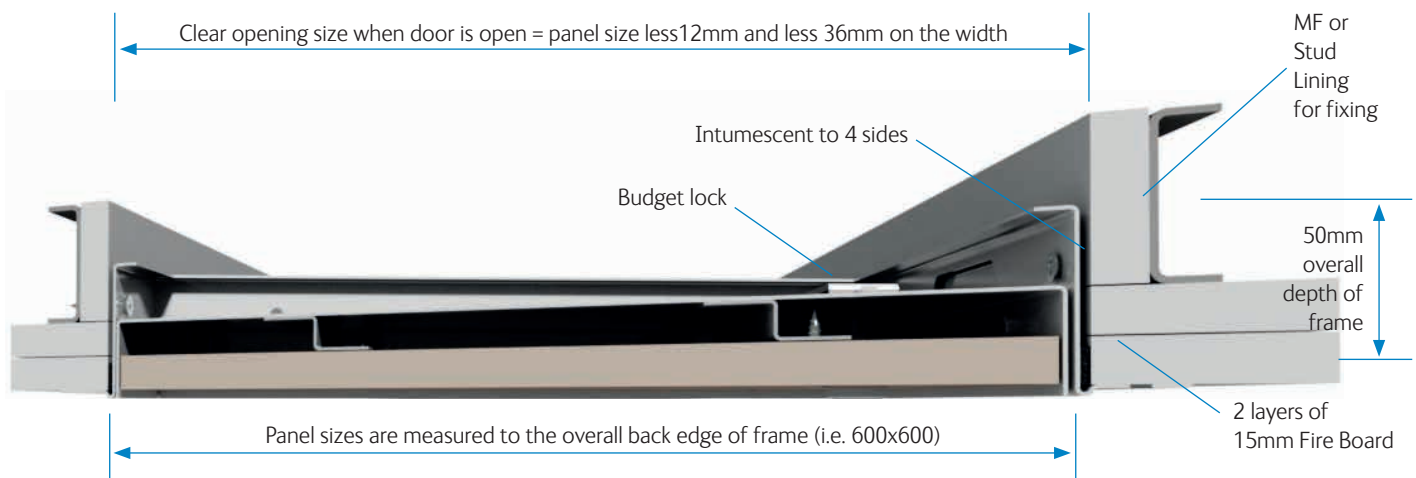
- Available 60 minute fire rated
- Tested to BS EN 1363-1:2012

### FINISH

- RAL 9010 (White) 20% Gloss

### INSTALLATION ADVICE

Ensure the structural opening (panel size +10mm) is lined with steel section which has fire rated plasterboard fixed to it. This can be used to fix the panel into place by using a suitable screw through the pre-drilled holes in the frame. EMAC003FD60 should not be fixed directly through the bead as this may cause defects in the plaster once it has dried and the panel has been opened several times.

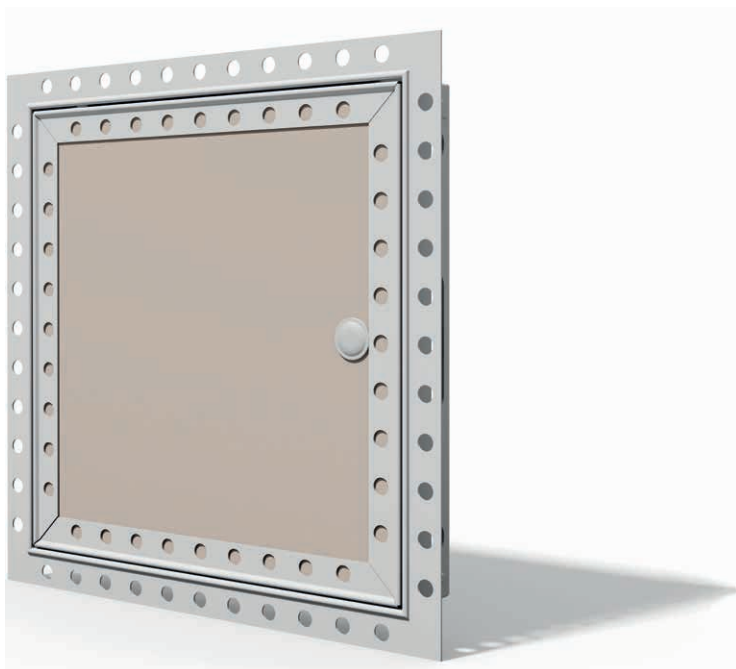


manufacturing world-class interiors

SAS Apollo Park, Rounds Green Road, Oldbury, West Midlands B69 2DA T: 0121 511 1300 W: [www.sasint.co.uk/accesspanels](http://www.sasint.co.uk/accesspanels)

All information and details in this brochure are correct at the time of going to press. E&OE. Published by SAS International. Copyright © 2015.

## EMAC 004 ACCESS PANEL



### MATERIAL

- 1mm steel
- Plasterboard door; ready for on-site plastering

### APPLICATION

- Ceiling
- Wall

### AVAILABLE SIZES (mm)

- 300 x 300      450 x 450      600 x 600
- 900 x 600\*      1200 x 600\*

### FRAME OPTIONS

- Beaded frame (Other frame details available upon request)

### LOCK OPTIONS

- Budget lock (Alternative locks available on request)

### FIRE RATING

- Non-fire rated

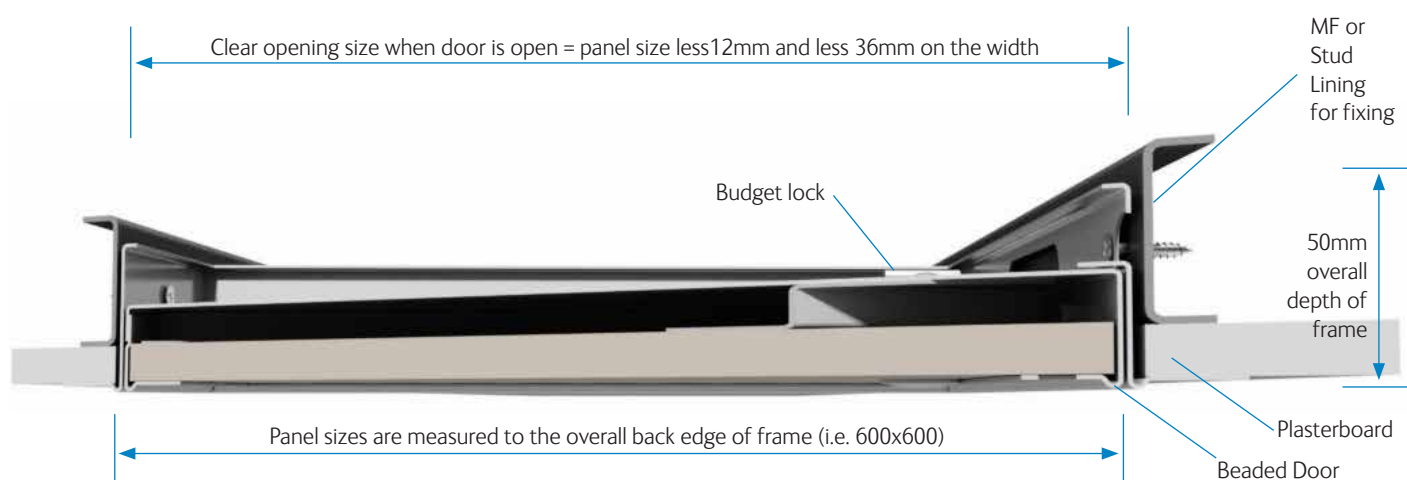
### FINISH

- RAL 9010 (White) 20% Gloss

### INSTALLATION ADVICE

Ensure the structural opening (panel size +10mm) is lined with timber or steel section. This can be used to fix the panel into place by using a suitable screw through the pre-drilled holes in the frame. EMAC004 should not be fixed directly through the bead as this may cause defects in the plaster once it has dried and the panel has been opened several times.

(\* panels are hinged on the long side as standard)

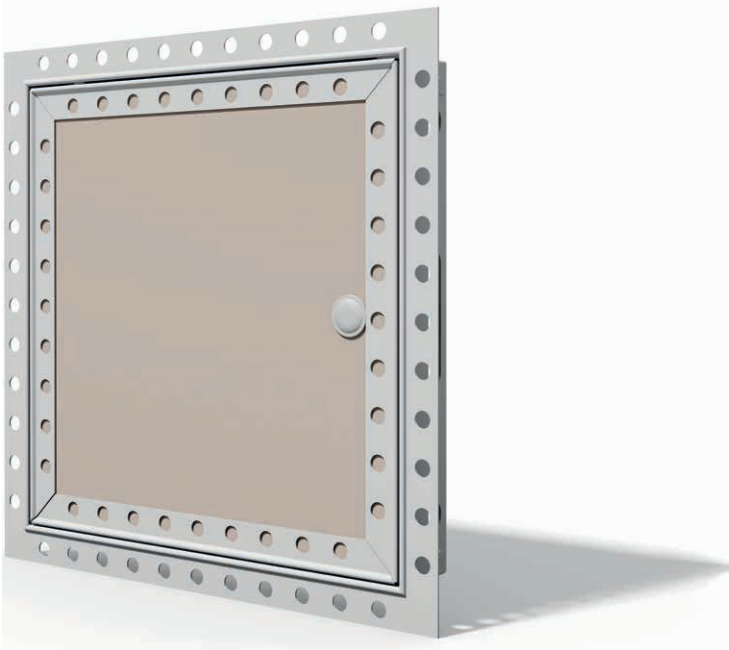


manufacturing world-class interiors

SAS Apollo Park, Rounds Green Road, Oldbury, West Midlands B69 2DA T: 0121 511 1300 W: [www.sasint.co.uk/accesspanels](http://www.sasint.co.uk/accesspanels)

All information and details in this brochure are correct at the time of going to press. E&OE. Published by SAS International. Copyright © 2015.

## EMAC 004 FD60 ACCESS PANEL



### MATERIAL

- 1mm steel
- Plasterboard door; ready for on-site plastering

### APPLICATION

- Ceiling
- Wall

### AVAILABLE SIZES (mm)

- 300 x 300    450 x 450    600 x 600
- 900 x 600\*    1200 x 600\*

### FRAME OPTIONS

- Beaded frame (Other frame details available upon request)

### LOCK OPTIONS

- Budget lock (Alternative locks available on request)

### FIRE RATING

- Available 60 minute fire rated
- Tested to BS EN 1363-1:2012

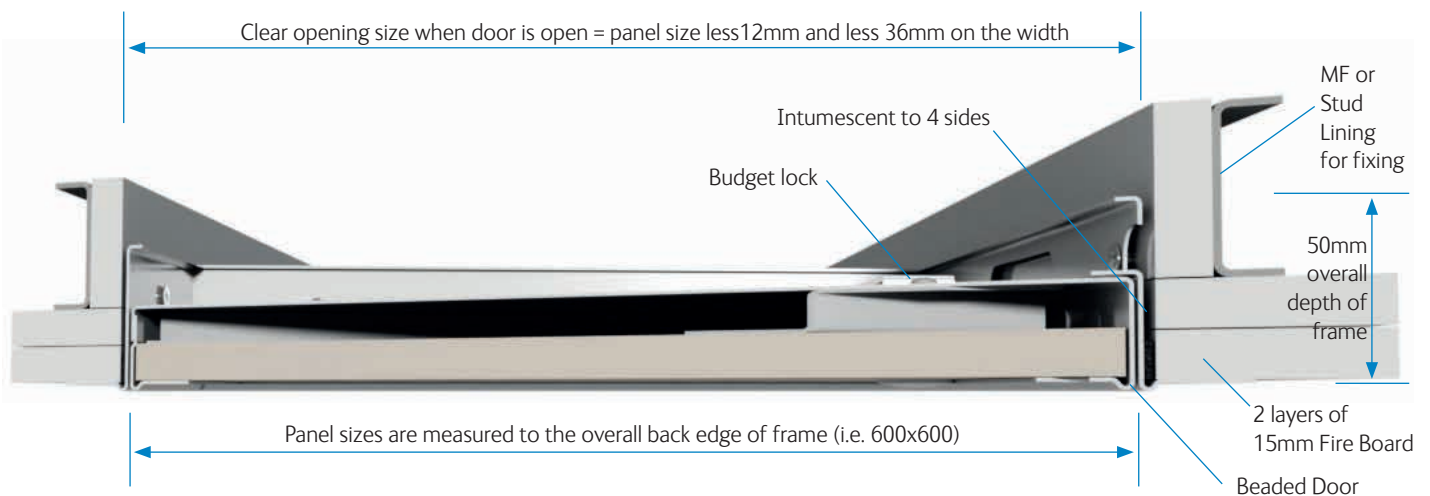
### FINISH

- RAL 9010 (White) 20% Gloss

### INSTALLATION ADVICE

Ensure the structural opening (panel size +10mm) is lined with steel section which has fire rated plasterboard fixed to it. This can be used to fix the panel into place by using a suitable screw through the pre-drilled holes in the frame. EMAC004FD60 should not be fixed directly through the bead as this may cause defects in the plaster once it has dried and the panel has been opened several times.

(\* panels are hinged on the long side as standard)



manufacturing world-class interiors

SAS Apollo Park, Rounds Green Road, Oldbury, West Midlands B69 2DA T: 0121 511 1300 W: [www.sasint.co.uk/accesspanels](http://www.sasint.co.uk/accesspanels)

All information and details in this brochure are correct at the time of going to press. E&OE. Published by SAS International. Copyright © 2015.



## EMAC 005 ACCESS PANEL



### MATERIAL

- 1.2mm steel

### APPLICATION

- Wall only

### AVAILABLE SIZES (mm)

- Made to order – please speak to our sales team

### FRAME OPTIONS

- Beaded frame
- Picture frame
- Exposed edge frame

### LOCK OPTIONS

- Budget lock
- 5mm Bit
- Touch Catch

### FIRE RATING

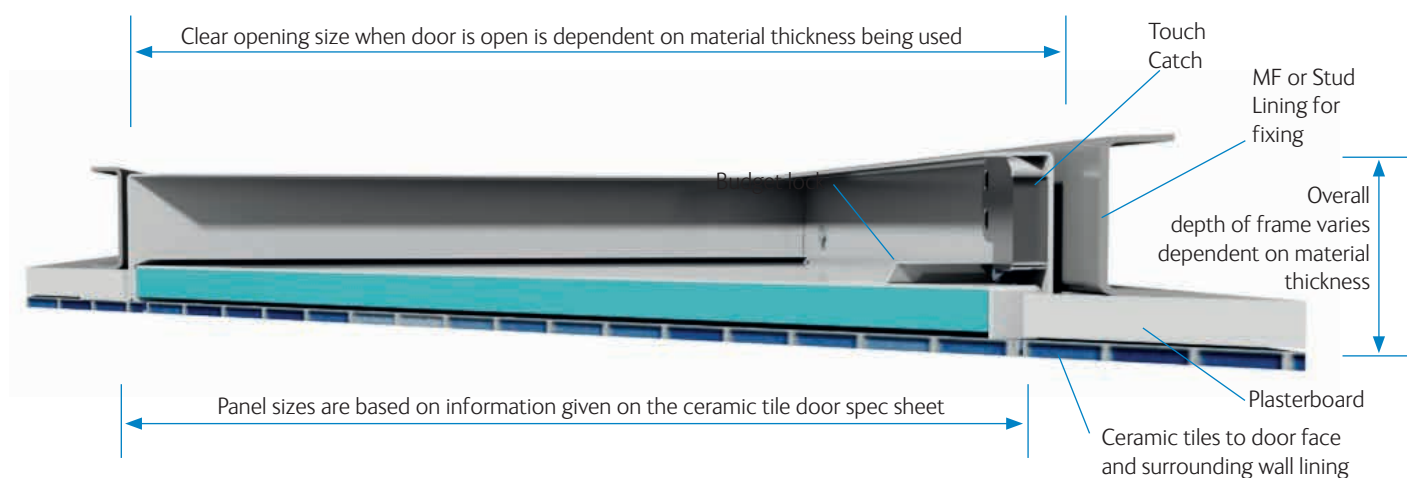
- Non-fire rated

### FINISH

- RAL 9010 (White) 30% Gloss (Other colours are available on request)

### INSTALLATION ADVICE

Ensure the structural opening is lined with timber or steel section. This can be used to fix the panel into place by using a suitable screw through the pre-drilled holes in the frame.



manufacturing world-class interiors

SAS Apollo Park, Rounds Green Road, Oldbury, West Midlands B69 2DA T: 0121 511 1300 W: [www.sasint.co.uk/accesspanels](http://www.sasint.co.uk/accesspanels)

All information and details in this brochure are correct at the time of going to press. E&OE. Published by SAS International. Copyright © 2015.

## EMAC 006 ACCESS PANEL



### MATERIAL

- High impact white styrene plastic

### APPLICATION

- Ceiling
- Wall

### AVAILABLE SIZES (mm)

- |             |            |            |
|-------------|------------|------------|
| ■ 102 x 152 | 228 x 152  | 203 x 203  |
| 300 x 300   | 355 x 355* | 558 x 558* |

### FRAME OPTIONS

- Picture frame

### LOCK OPTIONS

- Non-lockable with snap shut design

### FIRE RATING

- Non-fire rated

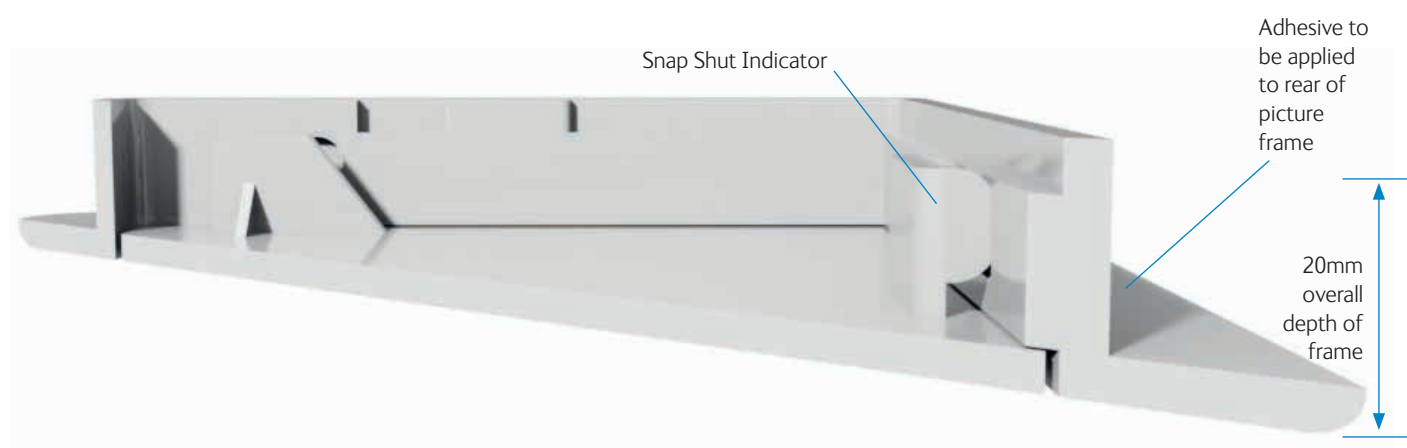
### FINISH

- RAL 9010 (White) 20% Gloss

### INSTALLATION ADVICE

Ensure the structural opening is cut panel size +5mm. The panel can be bonded into place by using a suitable adhesive to the rear of the picture frame.

(\* we advise these sizes are used for wall applications only)



manufacturing world-class interiors

## EMAC 007 ACCESS PANEL



### MATERIAL

- 1.2mm steel

### APPLICATION

- Ceiling – to suit 15/24mm, square edge or tegular grid

### AVAILABLE SIZES (mm)

- Made to order – please speak to our sales team

### FRAME OPTIONS

- EMAC007 frame

### LOCK OPTIONS

- Budget lock (Alternative locks available on request)

### FIRE RATING

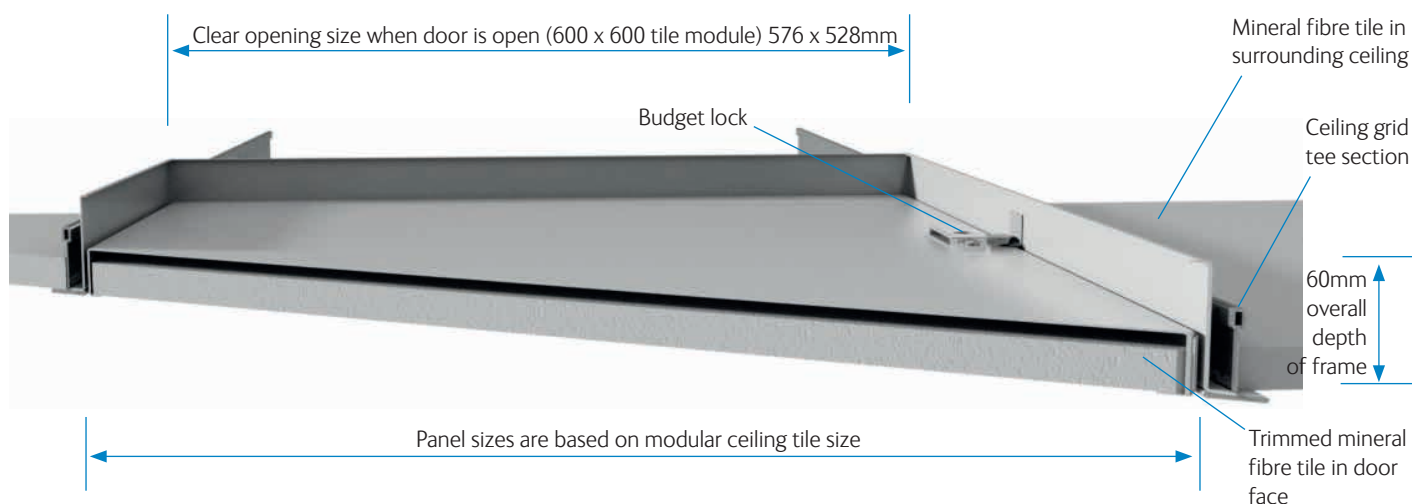
- Non-fire rated

### FINISH

- RAL 9010 (White) 30% Gloss (Other colours are available on request)

### INSTALLATION ADVICE

The EMAC007 range is designed to be installed in a lay in grid ceiling. The panel will need to be independently braced on site in the aperture to ensure a safe operation.

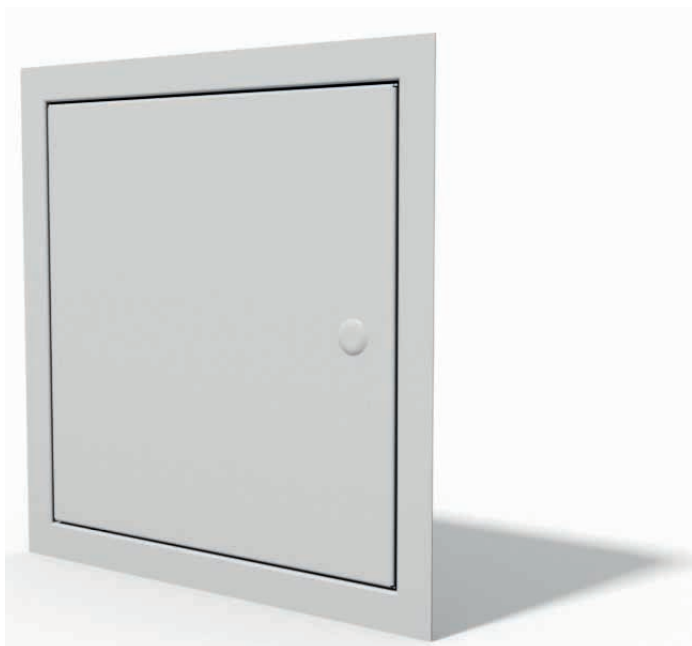


manufacturing world-class interiors

SAS Apollo Park, Rounds Green Road, Oldbury, West Midlands B69 2DA T: 0121 511 1300 W: [www.sasint.co.uk/accesspanels](http://www.sasint.co.uk/accesspanels)

All information and details in this brochure are correct at the time of going to press. E&OE. Published by SAS International. Copyright © 2015.

## EMAC 008 ACCESS PANEL



### MATERIAL

- 1.2mm steel

### APPLICATION

- Ceiling
- Wall

### AVAILABLE SIZES (mm)

- Made to order – please speak to our sales team

### FRAME OPTIONS

- Picture frame
- Beaded frame – can be taped and jointed for skimming

### LOCK OPTIONS

- Budget lock (Alternative locks available on request)

### FIRE RATING

- Non-fire rated

### ACOUSTIC PERFORMANCE

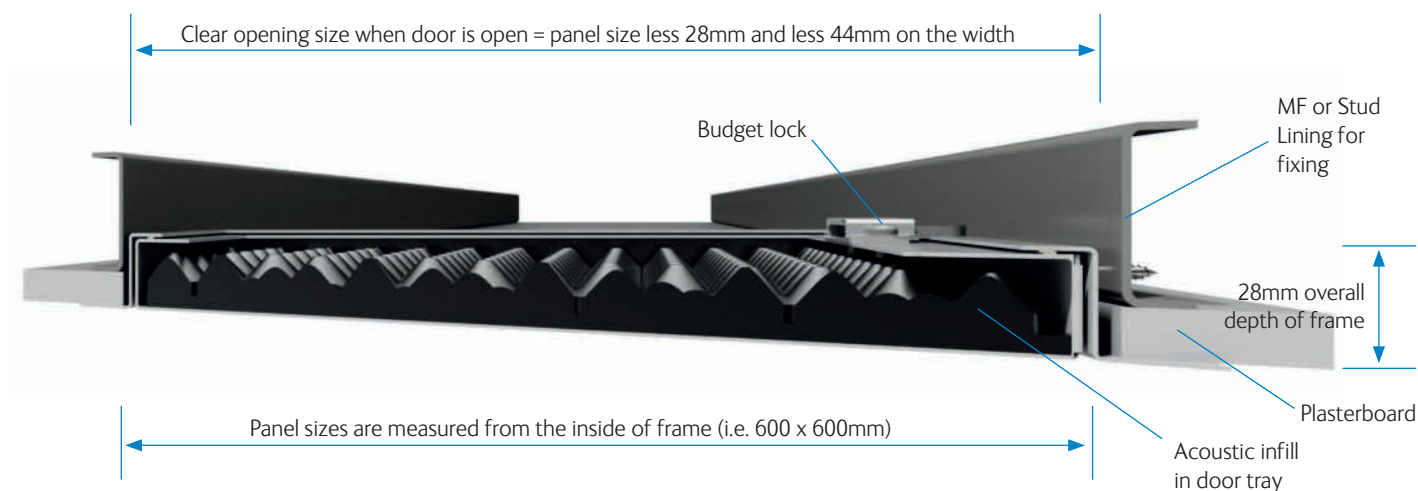
- 30dB
- Tested to BS EN ISO 10140-2

### FINISH

- RAL 9010 (White) 30% Gloss

### INSTALLATION ADVICE

Ensure the structural opening (panel size +10mm) is lined with timber or steel section. This can be used to fix the panel into place by using a suitable screw through the pre-drilled holes in the frame.



manufacturing world-class interiors

SAS Apollo Park, Rounds Green Road, Oldbury, West Midlands B69 2DA T: 0121 511 1300 W: [www.sasint.co.uk/accesspanels](http://www.sasint.co.uk/accesspanels)

All information and details in this brochure are correct at the time of going to press. E&OE. Published by SAS International. Copyright © 2015.

## EMAC 014 ACCESS PANEL



### MATERIAL

- 1mm and 1.2mm steel

### APPLICATION

- Ceiling

### AVAILABLE SIZES (mm)

- Made to order – please speak to our sales team

### FRAME OPTIONS

- Picture frame
- Beaded frame

### LOCK OPTIONS

- Non-lockable

### FIRE RATING

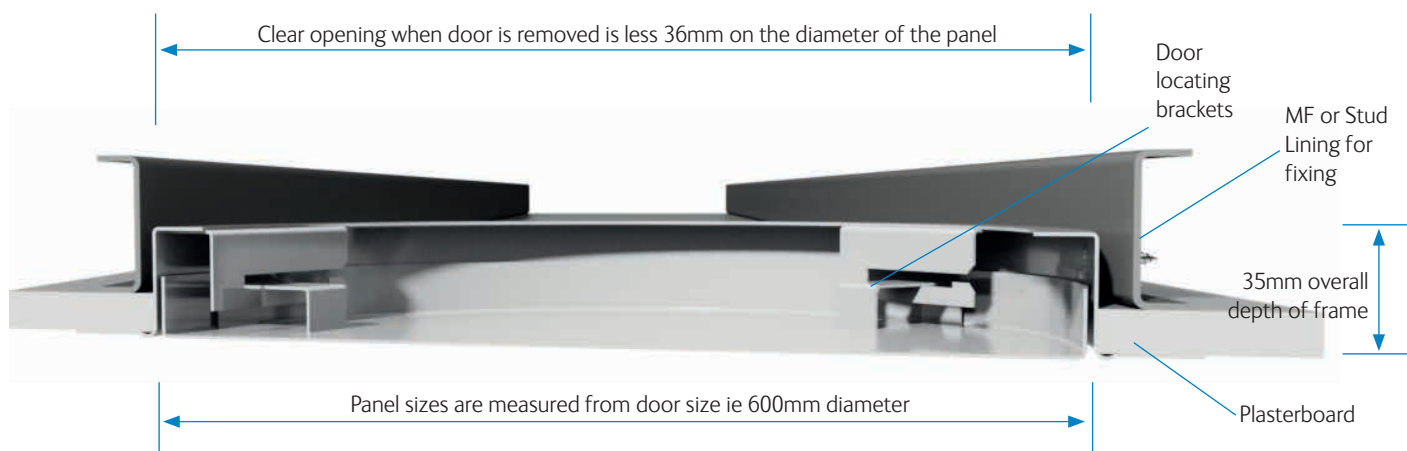
- Non-fire rated

### FINISH

- RAL 9010 (White) 20% Gloss

### INSTALLATION ADVICE

Ensure the structural opening (panel size +15mm) is lined with timber or steel section. This can be used to fix the panel into place by using a suitable screw through the pre-drilled holes in the frame. Panels with beaded frames will need to have scrim tape applied prior to plastering.



manufacturing world-class interiors

SAS Apollo Park, Rounds Green Road, Oldbury, West Midlands B69 2DA T: 0121 511 1300 W: [www.sasint.co.uk/accesspanels](http://www.sasint.co.uk/accesspanels)

All information and details in this brochure are correct at the time of going to press. E&OE. Published by SAS International. Copyright © 2015.